



PART NUMBER: CLF0381MP-1

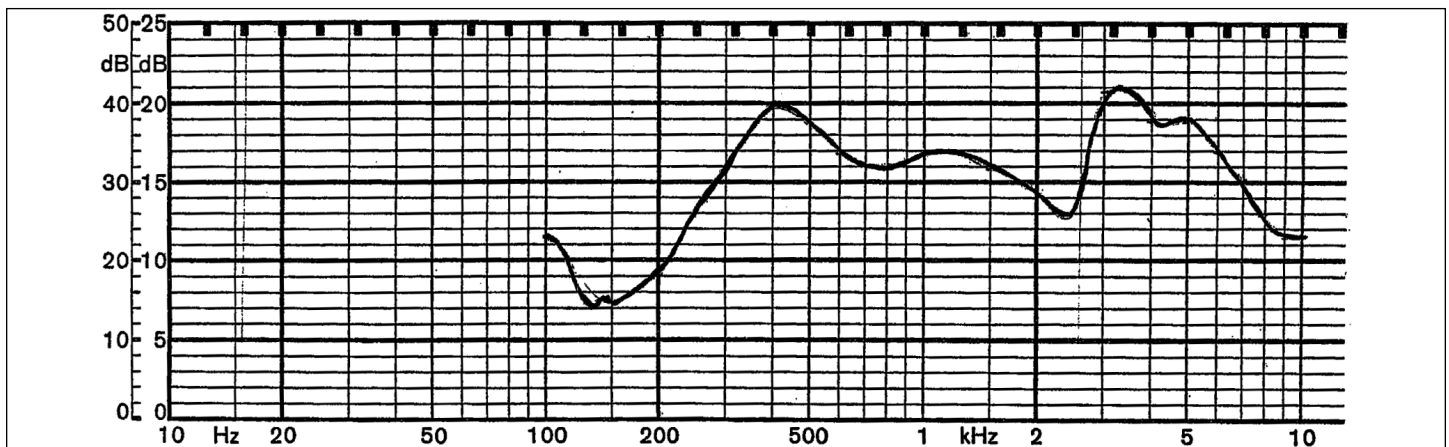
DESCRIPTION: speaker

SPECIFICATIONS

nominal size	38 mm		
impedance	8 Ohm \pm 15%	at	1 KHz 1 V
resonant frequency	380 Hz \pm 76 Hz	at	1 V
sound pressure level	93 dB/w \pm 3 dB	0.1 w 5 cm ave. at 0.6K, 0.8K, 1K, 1.2K Hz	
response	Fo Hz ~ 10 KHz max 10 dB		
input power	nominal 0.25 W	handling capacity	0.4 W
operation	must be normal at program source 0.25 W		
buzz, rattle, etc.	must be normal at sine wave 1.41 V		
magnet	size: 27 x 17 x 3 mm		
load test	white noise	0.25 W for	48 hours
heat test	70 \pm 2° C	20-50% R.H.	48 hours
humidity test	40 \pm 2° C	90-95% R.H.	48 hours

FREQUENCY RESPONSE CURVE

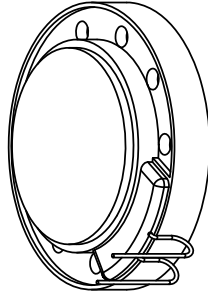
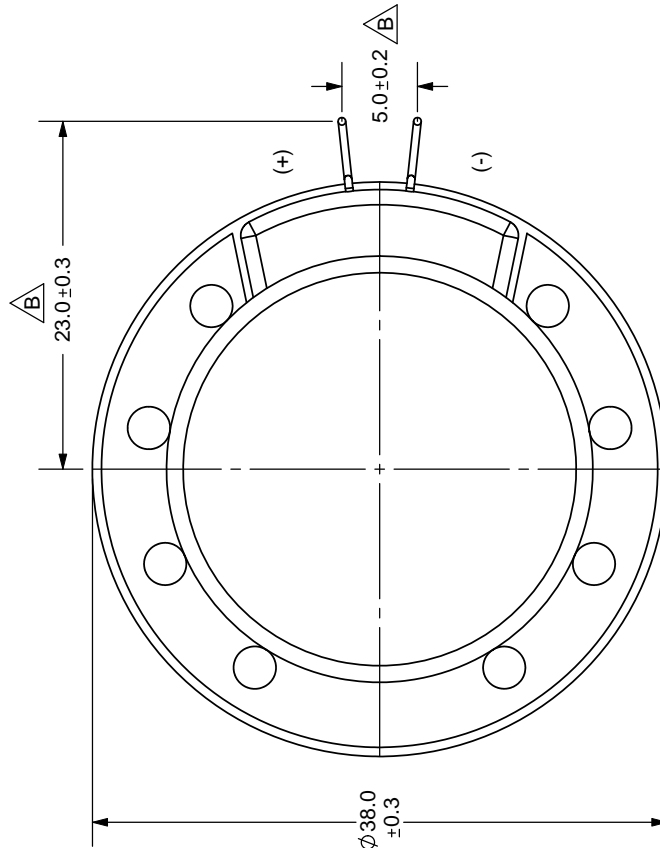
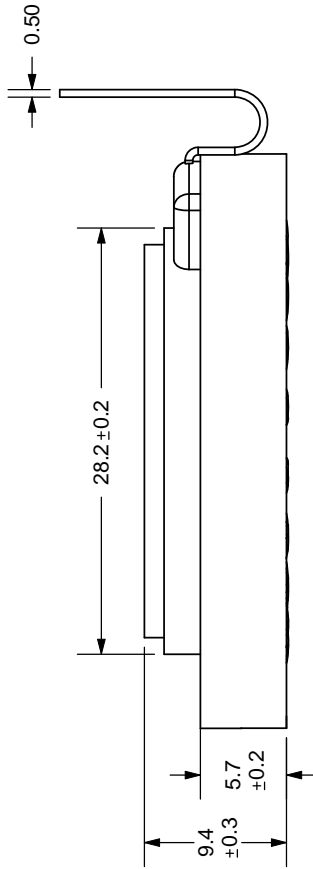
potentiometer range	50 dB
rectifier	RMS
lower limit frequency	20 Hz
wr. speed	100 mm/sec



zero level 60 dB

initial here _____

REV.	DESCRIPTION	DATE
A	NEW DRAWING	7/3/2007
B	Added dimensions	4/2/2008



SCALE 1:1



TOLERANCE:
±0.5mm UNLESS OTHERWISE
SPECIFIED



CUI INC

20050 SW 112th Ave.
Tualatin, OR 97062
Phone: 503-612-2300
800-275-4899
Fax: 503-612-2383
Website: www.cui.com

TITLE: LOW PROFILE SPEAKER	REV: B
PART NO: CLF0381MP-1	UNITS: MM [INCHES]
DRAWN BY: ZRJ	APPROVED BY:
	SCALE: 2:1